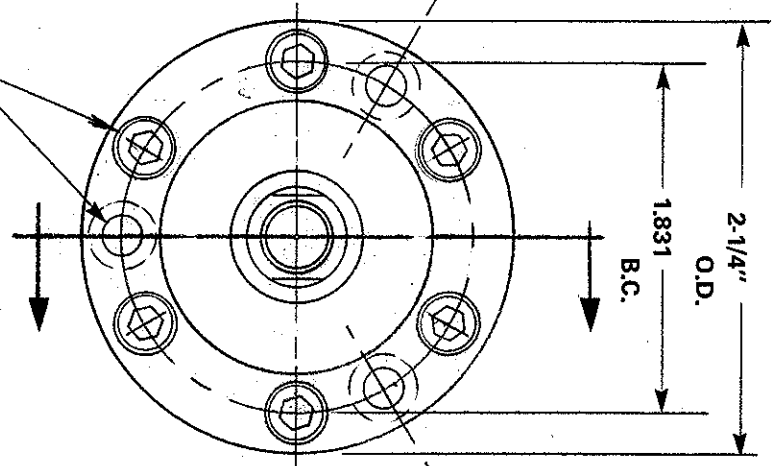


PISTON DIA. = 1.368 in.
 ROD DIA. = 0.500 in.
 SPRING FORCE (RETRACTED) = 20 #
 SPRING FORCE (EXTENDED) = 115 #
 SPRING No. S-172 EC-125M-5
 REFERENCE: S3508-15-CBB-ETW
 SEE PAGE 1, CATALOG H-91-A FOR
 SPECIFICATIONS NOT SHOWN.
 MIN. OPER. PRESS. 80 PSI

NAMEPLATE INFO:
 PART NUMBER 73888-A
 M.O.P. 1500 PSI
 CORPORATE NAME



CLEARANCE HOLES & BORED ON
 OPPOSITE FACE FOR 10-32 I.S.H.C.S.
 3 PLACES FOR MOUNTING.
 #10-32 X 5/8 I.S.H.C.S.
 6 REQ'D.

© 1992 MACK CORPORATION

DIMENSIONS ARE
 IN INCHES

MACK CORPORATION
 Flagstaff, Arizona

SCALE				WEIGHT		DRAWN BY		DATE		CHECKED BY		DATE		APPROVED		DATE	
FULL				EST.		F.M.		4-2-92									
				ACT.													
TITLE MINIATURE HI-ENERGY CYLINDER -S.A.-S.R.																	
2-1/4" O.D. X 15/10 TRAVEL - SERIES 125																	
SIZE												A		PART NUMBER			
														73888-A			