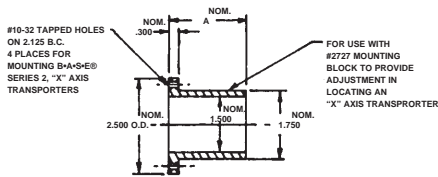


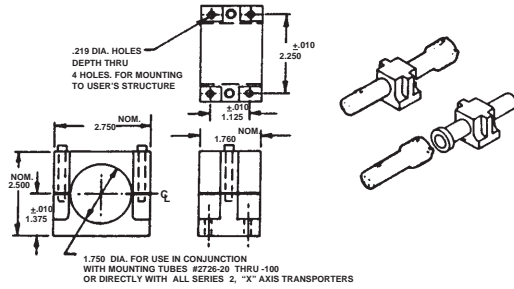
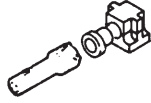
B·A·S·E® COMPONENT MOUNTING BRACKETS

B·A·S·E® "X" AXIS TRANSPORTER BRACKETS

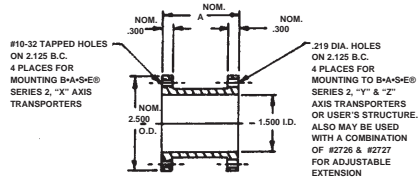


MOUNTING TUBE, SERIES 2726

PART NO.	"A" (inches)
2726-20	2.000
2726-30	3.000
2726-40	4.000
2726-50	5.000
2726-60	6.000
2726-70	7.000
2726-80	8.000
2726-90	9.000
2726-100	10.000

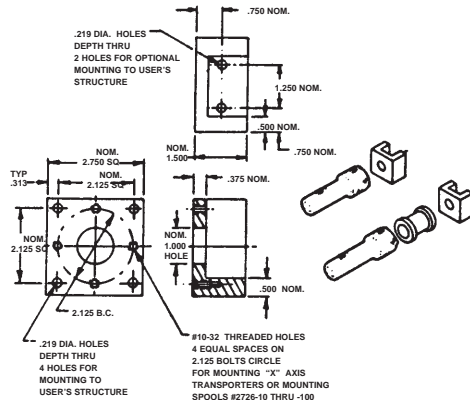
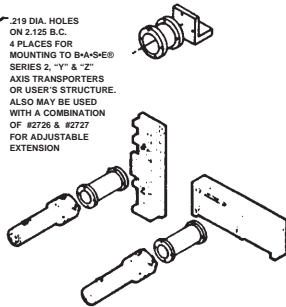


MOUNTING BLOCK, No. 2727



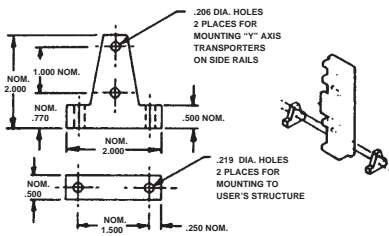
MOUNTING SPOOL, SERIES 2725

PART NO.	"A" (inches)
2725-20	2.000
2725-30	3.000
2725-40	4.000
2725-50	5.000
2725-60	6.000
2725-70	7.000
2725-80	8.000
2725-90	9.000
2725-100	10.000

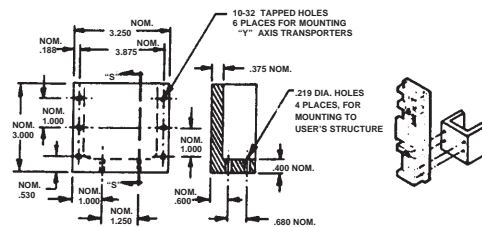


MOUNTING BRACKET, No. 2728

B·A·S·E® "Y" AXIS TRANSPORTER BRACKETS

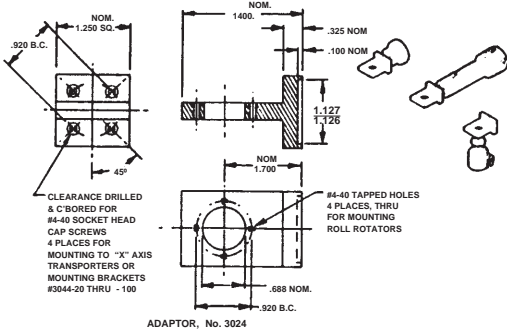


SIDE MOUNTING BRACKET, No. 2748
(USE IN PAIRS)

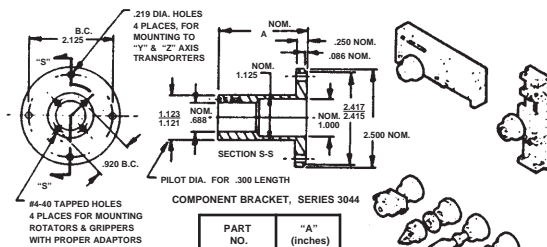


REAR FACE MOUNTING BRACKET, No. 2749

B·A·S·E® ROTATOR BRACKETS



ADAPTOR, No. 3024



COMPONENT BRACKET, SERIES 3044

PART NO.	"A" (inches)
3044-20	2.250
3044-30	3.250
3044-40	4.250
3044-50	5.250
3044-60	6.250
3044-70	7.250
3044-80	8.250
3044-90	9.250
3044-100	10.250

SPECIFICATIONS (ALL BRACKETS)

HIGH STRENGTH ALUMINUM ALLOY

