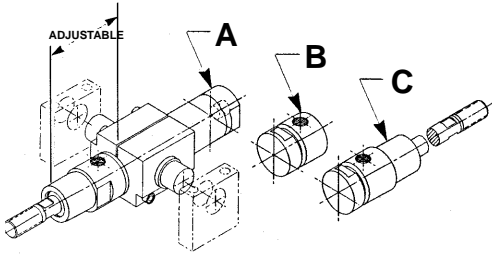


Automation Basic Cylinders

A•B•C® ADJUSTABLE TRUNION MOUNTED

CONFIGURATIONS:



MOUNTING STYLE:

ADJUSTABLE TRUNION MOUNTED CYLINDERS allow for ease in locating the extended or retracted position of a cylinder relative to its swing axis. In many cases, a user may set trunion brackets (see ACCESSORIES SHEET) at a convenient place in his structure and adjust a cylinder to reach the load. Cylinders operate properly in any position.

SPECIFICATIONS:

MATERIALS: Aluminum Alloy, Bronze and Steel.
SERVICE: Pneumatic and Hydraulic.
OPERATING PRESSURE RANGE: Vacuum to 300 P.S.I.
OPERATING TEMPERATURE RANGE: -20°F to 250°F.
SEALING ELEMENTS: Standard "O" Rings.

GENERAL NOTES:

All dimensions are nominal in U.S. CUSTOMARY units. Please consult the Factory for METRIC VERSIONS. A•B•C® is the registered trademark for MACK CORPORATION HEAVY DUTY AIR CYLINDERS. Developed and produced in the U.S.A. Please refer to page A20 for instructions in performing:
 Angular Port Adjustment.
 Complete Cylinder Servicing.
 Rod Seal & Bushing Service without disturbing the cylinder mounting or supply lines.

ORDERING INFORMATION:

HOW TO ORDER BASIC CYLINDERS
 A BASIC PART NUMBER consists of four digits followed by a dash number to indicate piston travel in increments of one inch.

EXAMPLE: 5000-12
 5000 — BASIC PART NUMBER
 12 — TRAVEL IN INCHES
 FOUR DIGITS FROM THE TABLE

HOW TO ORDER CYLINDERS WITH INTERNAL ROD THREADS
 Add the suffix -IT to the BASIC PART NUMBER. THERE IS NO ADDED COST.

EXAMPLE: 5000-12-IT
 5000-12 — BASIC PART NUMBER
 IT — INTERNAL THREADS

HOW TO ORDER CYLINDERS WITH STAINLESS STEEL PISTON RODS

Add the suffix -SS to the BASIC PART NUMBER
 Add 25% to the BASE PRICE.

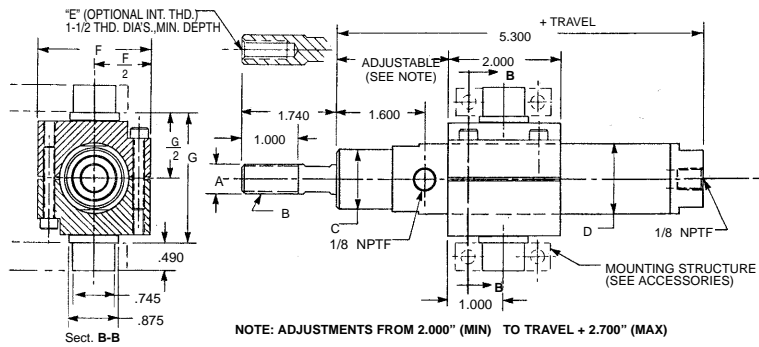
EXAMPLE: 5000-12-SS
 5000-12 — BASIC PART NUMBER
 SS — STAINLESS STEEL ROD OPTION

HOW TO ORDER SERVICE KITS

Add the suffix -SK to the FOUR DIGIT NUMBER.

EXAMPLE: 5000-SK
 5000 — INDICATES SERVICE KIT
 FOUR DIGITS FROM THE TABLE

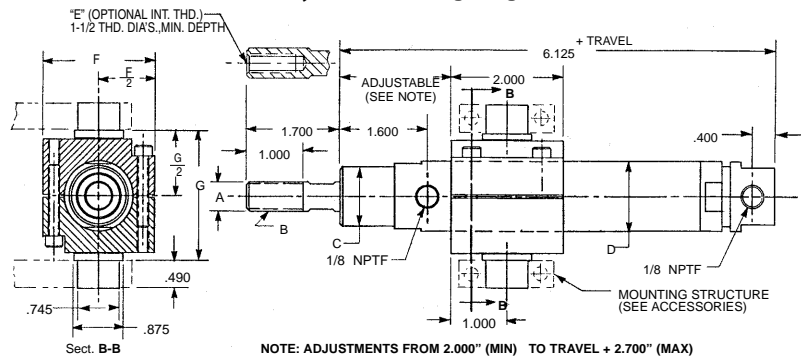
CONFIGURATION A, Double Acting-Single Ended-Side & End Ports



NOTE: ADJUSTMENTS FROM 2.000" (MIN) TO TRAVEL + 2.700" (MAX)

PART NO. & TRAVEL	CYLINDER BORE	A ROD O.D.	B EXTERNAL ROD THD.	C NOSE DIA.	D BODY DIA.	E INTERNAL ROD THD. (OPTION)	F TRUNION HEIGHT	G TRUNION SHOULDER
5072 (-)	0.656	0.375	3/8-24	0.875	0.875	1/4-28	1.750	1.863
5073 (-)	0.938	0.500	1/2-20	1.063	1.250	3/8-24	2.000	2.363
5074 (-)	1.188	0.625	5/8-18	1.313	1.500	7/16-20	2.250	2.863
5075 (-)	1.500	0.750	3/4-16	1.625	1.875	1/2-20	2.625	2.863

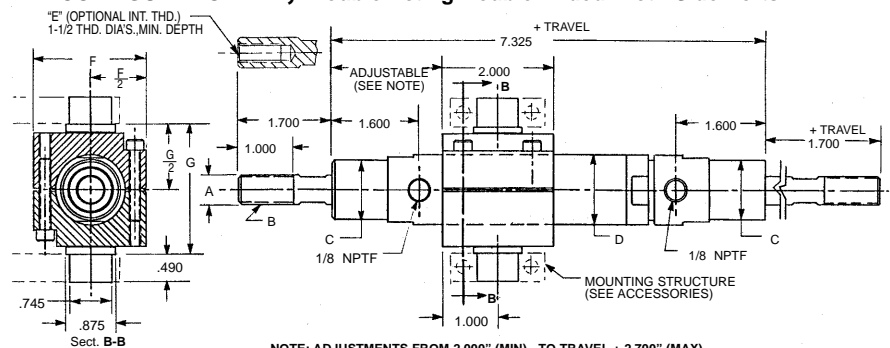
CONFIGURATION B, Double Acting-Single Ended-Both Side Ports



NOTE: ADJUSTMENTS FROM 2.000" (MIN) TO TRAVEL + 2.700" (MAX)

PART NO. & TRAVEL	CYLINDER BORE	A ROD O.D.	B EXTERNAL ROD THD.	C NOSE DIA.	D BODY DIA.	E INTERNAL ROD THD. (OPTION)	F TRUNION HEIGHT	G TRUNION SHOULDER
5076 (-)	0.656	0.375	3/8-24	0.875	0.875	1/4-28	1.750	1.863
5077 (-)	0.938	0.500	1/2-20	1.063	1.250	3/8-24	2.000	2.363
5078 (-)	1.188	0.625	5/8-18	1.313	1.500	7/16-20	2.250	2.863
5079 (-)	1.500	0.750	3/4-16	1.625	1.875	1/2-20	2.625	2.863

CONFIGURATION C, Double Acting-Double Ended-Both Side Ports



NOTE: ADJUSTMENTS FROM 2.000" (MIN) TO TRAVEL + 2.700" (MAX)

PART NO. & TRAVEL	CYLINDER BORE	A ROD O.D.	B EXTERNAL ROD THD.	C NOSE DIA.	D BODY DIA.	E INTERNAL ROD THD. (OPTION)	F TRUNION HEIGHT	G TRUNION SHOULDER
5080 (-)	0.656	0.375	3/8-24	0.875	0.875	1/4-28	1.750	1.863
5081 (-)	0.938	0.500	1/2-20	1.063	1.250	3/8-24	2.000	2.363
5082 (-)	1.188	0.625	5/8-18	1.313	1.500	7/16-20	2.250	2.863
5083 (-)	1.500	0.750	3/4-16	1.625	1.875	1/2-20	2.625	2.863

