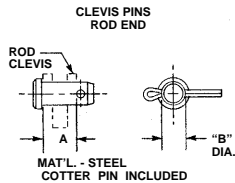
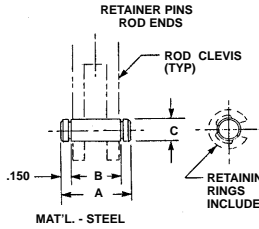


ACCESSORIES & service kits for Automation Basic Cylinders

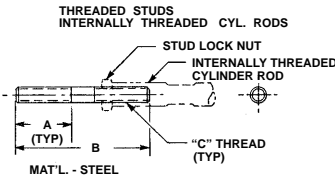
ROD END COMPONENTS



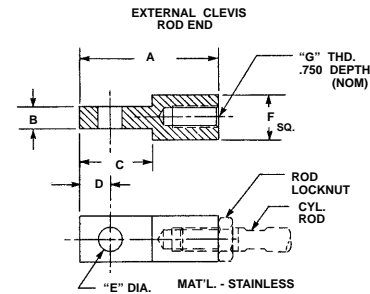
PART NO.	A (NOM)	B (NOM)	CYLINDER BORE (REF)
4312	0.781	0.373	0.656 0.938
4313	1.031	0.497	1.188 1.500



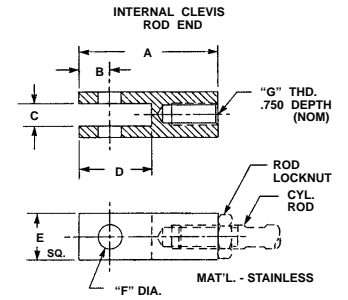
PART NO.	A (NOM)	B (NOM)	C (NOM)	CYLINDER BORE (REF)
4297	1.150	0.850	0.373	0.656 0.938
4298	1.400	1.100	0.497	1.188 1.500



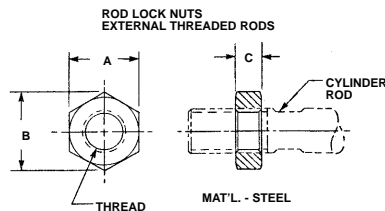
PART NO.	A (NOM)	B (NOM)	C (NOM)	CYLINDER BORE (REF)
4293	0.900	2.175	1/4 -28	0.656
4294	0.913	2.200	3/8 -24	0.938
4295	0.975	2.325	7/16 -20	1.188
4296	1.000	2.375	1/2 -20	1.500



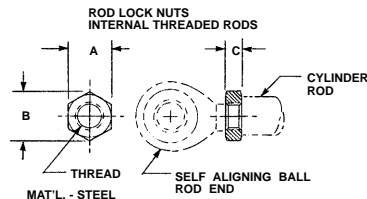
PART NO.	A (NOM)	B (NOM)	C (NOM)	D (NOM)	E (NOM)	F (SQ.)	G (THD)	CYLINDER BORE (REF)
4259	2.250	2.175	1.180	0.500	0.375	0.750	3/8 -24	0.656
4260	2.250	2.200	1.180	0.500	0.375	0.750	1/2 -20	0.938
4261	2.500	2.325	1.300	0.563	0.500	1.000	5/8 -18	1.188
4262	2.500	2.375	1.300	0.563	0.500	1.000	3/4 -16	1.500



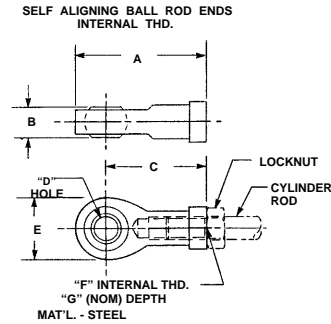
PART NO.	A (NOM)	B (NOM)	C (NOM)	D (NOM)	E (SQ.)	F (NOM)	G (THD)	CYLINDER BORE (REF)
4255	2.250	0.500	0.380	1.180	0.750	0.375	3/8 -24	0.656
4256	2.250	0.500	0.380	1.180	0.750	0.375	1/2 -20	0.938
4257	2.500	0.563	0.505	1.300	1.000	0.500	5/8 -18	1.188
4258	2.500	0.563	0.505	1.300	1.000	0.500	3/4 -16	1.500



PART NO.	A (NOM)	B (NOM)	C (NOM)	THD.	CYLINDER BORE (REF)
4251	0.563	0.650	0.219	3/8 -24	0.656
4252	0.750	0.866	0.313	1/2 -20	0.938
4253	0.938	1.083	0.375	5/8 -18	1.188
4254	1.125	1.300	0.422	3/4 -16	1.500

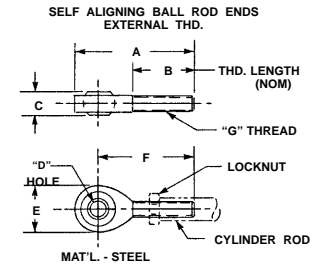


PART NO.	A (NOM)	B (NOM)	C (NOM)	THD.	CYLINDER BORE (REF)
4291	0.438	0.505	0.156	1/4 -28	0.656
4251	0.563	0.650	0.219	3/8 -24	0.938
4292	0.688	0.794	0.250	7/16 -20	1.188
4252	0.750	0.866	0.313	1/2 -20	1.500



PART NO.	A (NOM)	B (NOM)	C (NOM)	D (HOLE)	E (NOM)	F (THD.)	G (NOM)	CYLINDER BORE (REF)
4280	2.125	0.500	1.625	0.375	1.000	3/8 -24	0.938	0.656
4281	2.781	0.625	2.125	0.500	1.312	1/2 -20	1.188	0.938
4282	3.250	0.750	2.500	0.625	1.500	5/8 -18	1.500	1.188
4283	3.750	0.875	2.875	0.750	1.750	3/4 -16	1.750	1.500

NOTE: BALL ANGULAR DISPLACEMENT = ± 10° MAX.



PART NO.	A (NOM)	B (NOM)	C (NOM)	D (HOLE)	E (NOM)	F (NOM)	G (THD)	CYLINDER BORE (REF)
4284	1.938	1.000	0.375	0.250	0.750	1.565	1/4 -28	0.656
4285	2.438	1.250	0.500	0.375	1.000	1.938	3/8 -24	0.938
4286	2.688	1.375	0.562	0.438	1.125	2.125	7/16 -20	1.188
4287	3.094	1.500	0.625	0.500	1.312	2.438	1/2 -20	1.500

NOTE: BALL ANGULAR DISPLACEMENT = ± 10° MAX.

