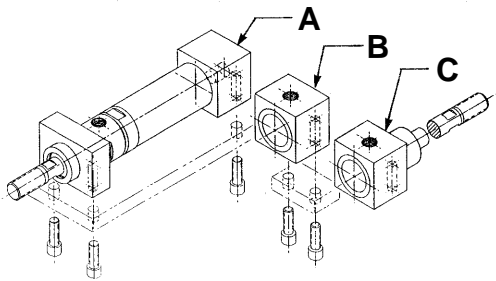


Automation Basic Cylinders

A•B•C® INTERNAL THREAD ATTACHMENT
FORE AND AFT MOUNTED

CONFIGURATIONS:



MOUNTING STYLE:

INTERNALLY THREADED, FORE & AFT MOUNTED CYLINDERS are similar to those shown on DATA SHEET NO. 8052 except attaching bolts come thru the structure from the opposite side and thread directly into both end caps of the cylinder. Good thrust alignment and minimum side load deflection is achieved. Cylinders perform properly when mounted in any position.

SPECIFICATIONS:

MATERIALS: Aluminum Alloy, Bronze and Steel.
SERVICE: Pneumatic and Hydraulic.
OPERATING PRESSURE RANGE: Vacuum to 300 P.S.I.
OPERATING TEMPERATURE RANGE: -20°F to 250°F.
SEALING ELEMENTS: Standard "O" Rings.

GENERAL NOTES:

All dimensions are nominal in U.S. CUSTOMARY units. Please consult the Factory for METRIC VERSIONS. A•B•C® is the registered trademark for MACK CORPORATION HEAVY DUTY AIR CYLINDERS. Developed and produced in the U.S.A. Please refer to page A20 for instructions in performing:

- Angular Port Adjustment.
- Complete Cylinder Servicing.
- Rod Seal & Bushing Service without disturbing the cylinder mounting or supply lines.

ORDERING INFORMATION:

HOW TO ORDER BASIC CYLINDERS
A BASIC PART NUMBER consists of four digits followed by a dash number to indicate piston travel in increments of one inch.

EXAMPLE: 5000 -12
 _____ BASIC PART NUMBER
 _____ TRAVEL IN INCHES
 _____ FOUR DIGITS FROM THE TABLE

HOW TO ORDER CYLINDERS WITH INTERNAL ROD THREADS
Add the suffix -IT to the BASIC PART NUMBER. THERE IS NO ADDED COST.

EXAMPLE: 5000 -12 -IT
 _____ INTERNAL THREADS
 _____ BASIC PART NUMBER

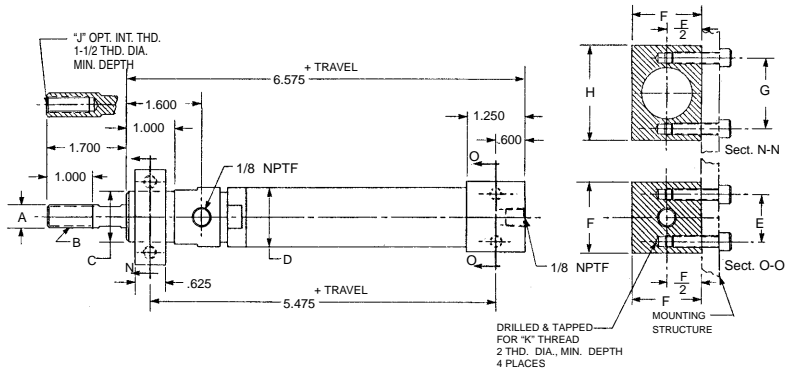
HOW TO ORDER CYLINDERS WITH STAINLESS STEEL PISTON RODS
Add the suffix -SS to the BASIC PART NUMBER

EXAMPLE: 5000 -12 -SS
 _____ STAINLESS STEEL ROD OPTION
 _____ BASIC PART NUMBER

HOW TO ORDER SERVICE KITS

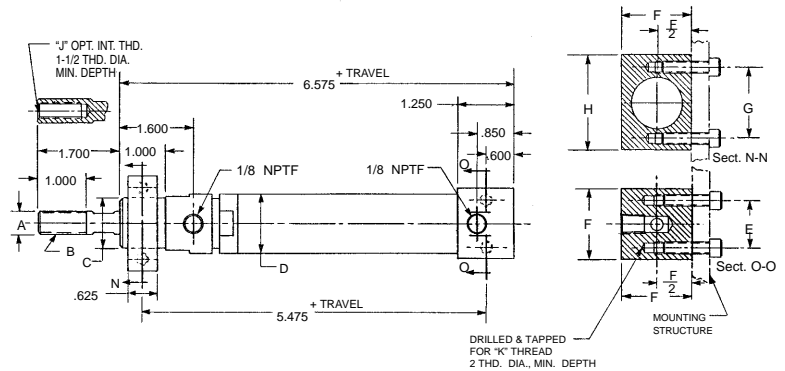
Add the suffix -SK to the FOUR DIGIT NUMBER.
 EXAMPLE: 5000 -SK
 _____ INDICATES SERVICE KIT
 _____ FOUR DIGITS FROM THE TABLE

CONFIGURATION A, Double Acting-Single Ended-Side & End Ports



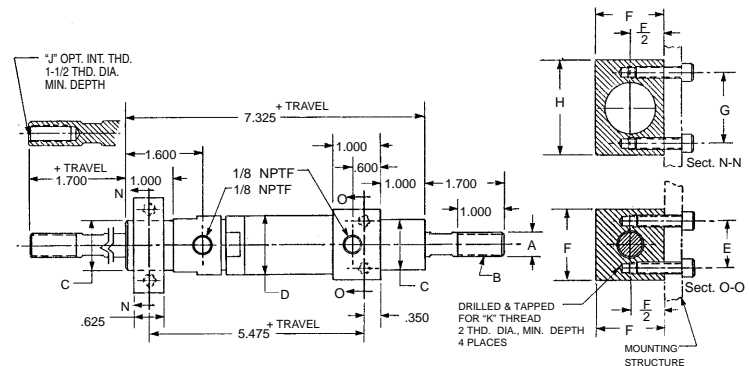
PART NO. & TRAVEL	CYLINDER BORE	A ROD O.D.	B EXTERNAL ROD THD.	C NOSE DIA.	D BODY DIA.	E BOLT CENTER	F BLOCK HEIGHT	G BOLT CENTERS	H BLOCK LENGTH	J INTERNAL ROD THD.	K MOUNTING SCREW SIZE
5144 (-)	0.656	0.375	3/8 -24	0.875	0.875	0.813	1.250	1.250	1.750	1/4 -28	10 -32
5145 (-)	0.938	0.500	1/2 -20	1.063	1.250	1.000	1.500	1.500	2.000	3/8 -24	1/4 -28
5146 (-)	1.188	0.625	5/8 -18	1.313	1.500	1.250	2.000	1.875	2.500	7/16 -20	5/16 -24
5147 (-)	1.500	0.750	3/4 -16	1.625	1.875	1.438	2.250	2.250	3.000	1/2 -20	3/8 -24

CONFIGURATION B, Double Acting-Single Ended-Both Side Ports



PART NO. & TRAVEL	CYLINDER BORE	A ROD O.D.	B EXTERNAL ROD THD.	C NOSE DIA.	D BODY DIA.	E BOLT CENTER	F BLOCK HEIGHT	G BOLT CENTERS	H BLOCK LENGTH	J INTERNAL ROD THD.	K MOUNTING SCREW SIZE
5148 (-)	0.656	0.375	3/8 -24	0.875	0.875	0.813	1.250	1.250	1.750	1/4 -28	10 -32
5149 (-)	0.938	0.500	1/2 -20	1.063	1.250	1.000	1.500	1.500	2.000	3/8 -24	1/4 -28
5150 (-)	1.188	0.625	5/8 -18	1.313	1.500	1.250	2.000	1.875	2.500	7/16 -20	5/16 -24
5151 (-)	1.500	0.750	3/4 -16	1.625	1.875	1.438	2.250	2.250	3.000	1/2 -20	3/8 -24

CONFIGURATION C, Double Acting-Double Ended-Both Side Ports



PART NO. & TRAVEL	CYLINDER BORE	A ROD O.D.	B EXTERNAL ROD THD.	C NOSE DIA.	D BODY DIA.	E BOLT CENTER	F BLOCK HEIGHT	G BOLT CENTERS	H BLOCK LENGTH	J INTERNAL ROD THD.	K MOUNTING SCREW SIZE
5152 (-)	0.656	0.375	3/8 -24	0.875	0.875	0.813	1.250	1.250	1.750	1/4 -28	10 -32
5153 (-)	0.938	0.500	1/2 -20	1.063	1.250	1.000	1.500	1.500	2.000	3/8 -24	1/4 -28
5154 (-)	1.188	0.625	5/8 -18	1.313	1.500	1.250	2.000	1.875	2.500	7/16 -20	5/16 -24
5155 (-)	1.500	0.750	3/4 -16	1.625	1.875	1.438	2.250	2.250	3.000	1/2 -20	3/8 -24

