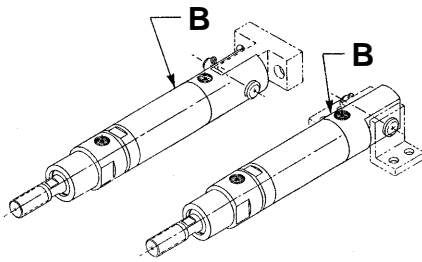


# Automation Basic Cylinders

## A•B•C® AFT LUG & AFT SLOTTED YOKE MOUNTED

### CONFIGURATIONS:



### MOUNTING STYLE:

AFT SLOTTED YOKE OR AFT LUG MOUNTED CYLINDERS provide a swing axis for clevis pin mounting directly to the user's structure or to brackets described on ACCESSORIES SHEET #8055. Cylinders operate in any position.

### SPECIFICATIONS:

**MATERIALS:** Aluminum Alloy, Bronze and Steel.  
**SERVICE:** Pneumatic and Hydraulic.  
**OPERATING PRESSURE RANGE:** Vacuum to 300 P.S.I.  
**OPERATING TEMPERATURE RANGE:** -20°F to 250°F.  
**SEALING ELEMENTS:** Standard "O" Rings.

### GENERAL NOTES:

All dimensions are nominal in U.S. CUSTOMARY units. Please consult the Factory for METRIC VERSIONS. A•B•C® is the registered trademark for MACK CORPORATION HEAVY DUTY AIR CYLINDERS. Developed and produced in the U.S.A. Please refer to page A20 for instructions in performing:  
 Angular Port Adjustment.  
 Complete Cylinder Servicing.  
 Rod Seal & Bushing Service without disturbing the cylinder mounting or supply lines.

### ORDERING INFORMATION:

**HOW TO ORDER BASIC CYLINDERS**  
 A BASIC PART NUMBER consists of four digits followed by a dash number to indicate piston travel in increments of one inch.

EXAMPLE: 5000-12  
 — BASIC PART NUMBER  
 — TRAVEL IN INCHES  
 — FOUR DIGITS FROM THE TABLE

**HOW TO ORDER CYLINDERS WITH INTERNAL ROD THREADS**  
 Add the suffix -IT to the BASIC PART NUMBER. THERE IS NO ADDED COST.

EXAMPLE: 5000-12-IT  
 — INTERNAL THREADS  
 — BASIC PART NUMBER

**HOW TO ORDER CYLINDERS WITH STAINLESS STEEL PISTON RODS**

Add the suffix -SS to the BASIC PART NUMBER. Add 25% to the BASE PRICE.

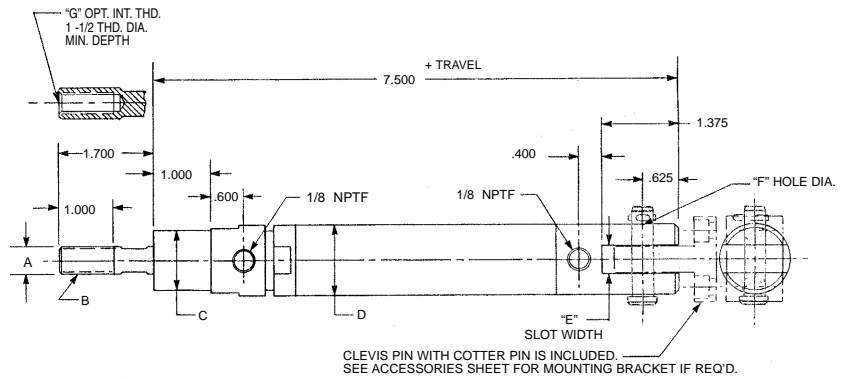
EXAMPLE: 5000-12-SS  
 — STAINLESS STEEL ROD OPTION  
 — BASIC PART NUMBER

**HOW TO ORDER SERVICE KITS**

Add the suffix -SK to the FOUR DIGIT NUMBER.

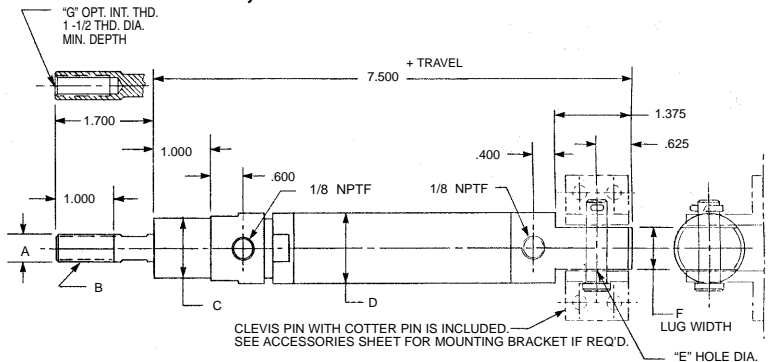
EXAMPLE: 5000-SK  
 — INDICATES SERVICE KIT  
 — FOUR DIGITS FROM THE TABLE

### CONFIGURATION B, Double Acting-Single Ended-Both Side Ports



PART NO. & TRAVEL	CYLINDER BORE	A ROD DIA.	B EXTERNAL ROD THD.	C NOSE DIA.	D BODY DIA.	E SLOT WIDTH	F CLEVIS PIN HOLE	G INTERNAL ROD THD.
5124 (-)	0.656	0.375	3/8-24	0.875	0.875	0.250	0.375	1/4-28
5125 (-)	0.938	0.500	1/2-20	1.063	1.250	0.500	0.375	3/8-24
5126 (-)	1.188	0.625	5/8-18	1.313	1.500	0.500	0.500	7/16-20
5127 (-)	1.500	0.750	3/4-16	1.625	1.875	0.750	0.500	1/2-20

### CONFIGURATION B, Double Acting-Single Ended- Both Side Ports



PART NO. & TRAVEL	CYLINDER BORE	A ROD DIA.	B EXTERNAL ROD THD.	C NOSE DIA.	D BODY DIA.	E CLEVIS PIN HOLE	F LUG WIDTH	G INTERNAL ROD THD.
5128 (-)	0.656	0.375	3/8-24	0.875	0.875	0.375	0.500	1/4-28
5129 (-)	0.938	0.500	1/2-20	1.063	1.250	0.375	0.750	3/8-24
5130 (-)	1.188	0.625	5/8-18	1.313	1.500	0.500	0.750	7/16-20
5131 (-)	1.500	0.750	3/4-16	1.625	1.875	0.500	1.000	1/2-20



DATA SHEET 8051  
 © 2006 MACK CORPORATION